

**NEW!**

## Introducing Millennium Plus+ Your Flow-Rite Millennium Valve Just Got Better!

**Color Coded Flip Tops**

Flip top color matches shroud color for easy valve identification.

**Optical Level Indicator\***

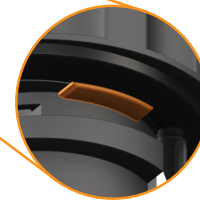
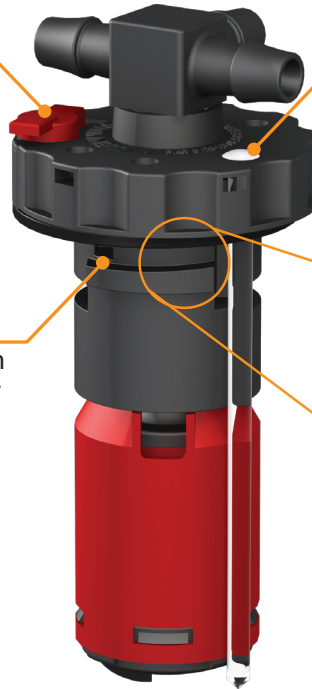
Built-in indicator provides a quick and easy way to see when individual cells require water.

**Raised Vents**

Provides more room inside of the cell for fluid expansion.

**Gasket Retention Tabs**

Two small tabs keep the gasket in place for simplified installation.  
(highlighted orange for illustrative clarity)



Millennium Plus+, the next generation Millennium valve is our “fully loaded” most feature rich system to date. Standard flip top valves now include all of the popular Millennium features users have become accustomed to, “plus” color coded flip tops, raised vents, gasket retention tabs, and an independent optical indicator\*. All of these new features are now included at no extra charge.

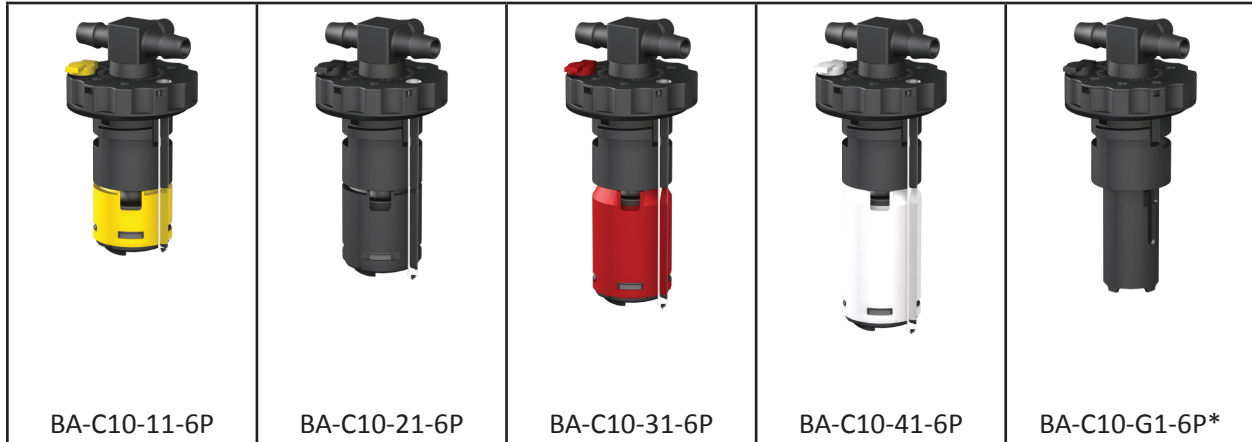
- **Optical Level Indicator\*** – The non-mechanical indicator changes from white to black verifying each cell has been filled to the proper level. Millennium Plus+ is the only battery watering system to feature a built in level indicator that operates separate from the valve function. Unlike competitor’s systems, if a Millennium valve is damaged the indicator will still operate properly and provide an accurate reading. This makes it the only truly reliable indicator on the market.
- **Color Coded Flip Tops** – Check specific gravity levels with ease. The Flip Top access port gives direct cell access without the need for drilling cell covers or removing the watering system. The new color coding allows for easy verification of valve length after the system has been installed.
- **Raised Vents** – The vents have been raised .25” allowing for additional electrolyte expansion within the cell. While the battery should only be watered when its fully charged and still warm, this additional space provides a larger margin of error for users that must water the battery in a partially discharged or cold state.
- **Gasket Retention Tabs** – The new retention tabs secure the gasket in place through shipping and handling ensuring you have a proper seal to the battery cover after installation.

*\*Optical level indicators not currently available with GNB, M30, or external flame arrested valves.*

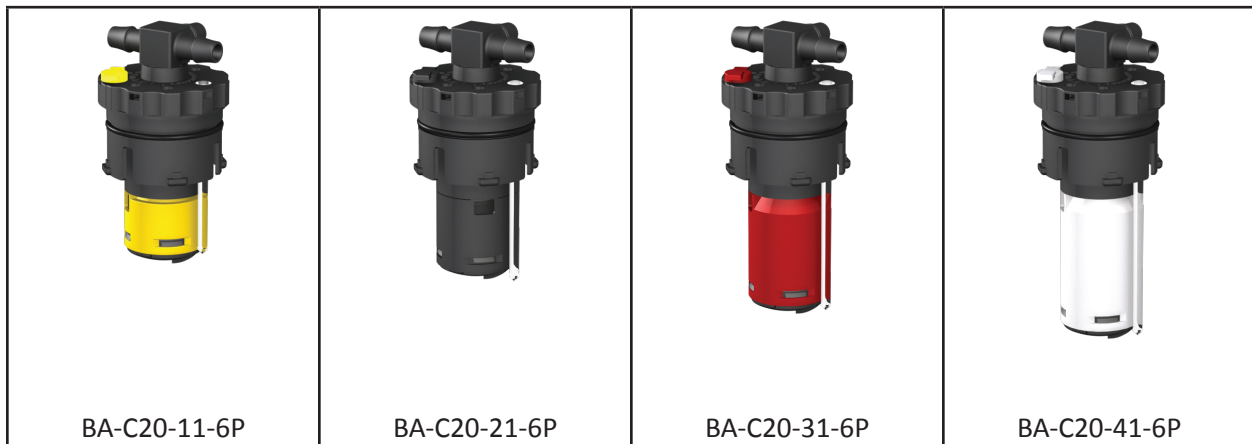
## Replacement Valves

Only available in 6 packs. Includes red end caps.

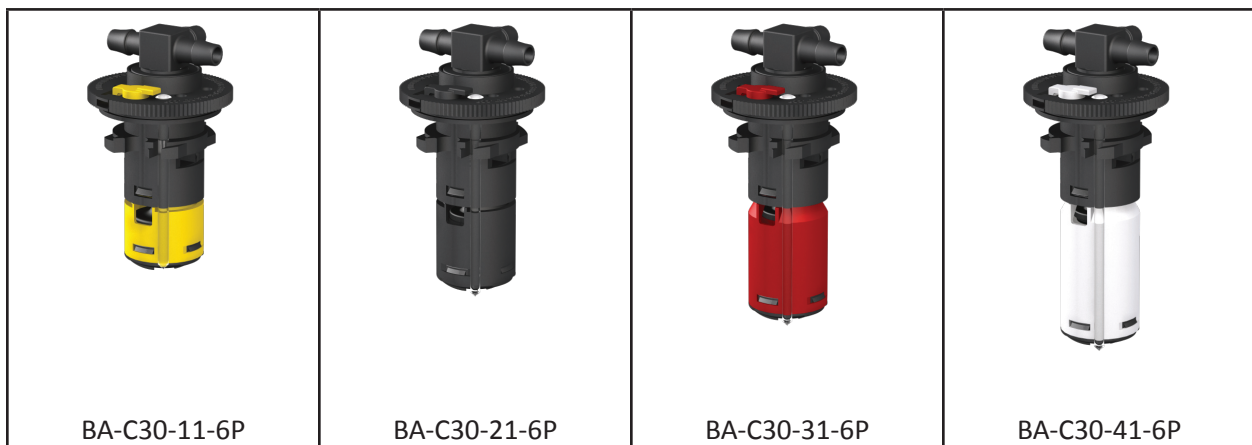
### Bayonet



### 35P



### GS



\*Optical level indicator not currently available with GNB valves